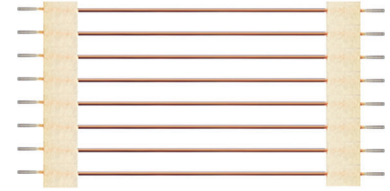


# Flexible board connectors : FiP-01

## Overview

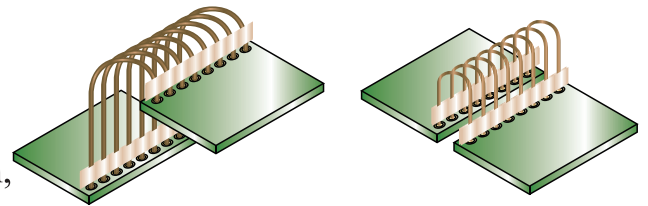
A component FiP (Flexible Interconnect Parts) that can flexibly connect boards together by using magnet wires in the conductors.

The degree of freedom in the connection form between boards is improved.



## Features

- After soldering FiP, the boards can be placed in various arrangements
- Thin
- Supports custom specifications such as length, number of contacts, and pitch



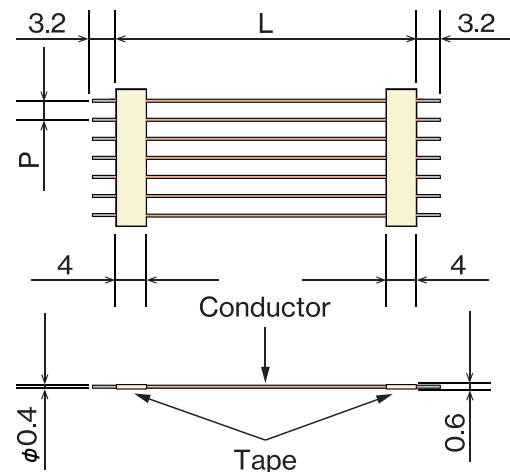
## FiP-01

We have prepared a FiP-01 that is easy to bend in all directions.

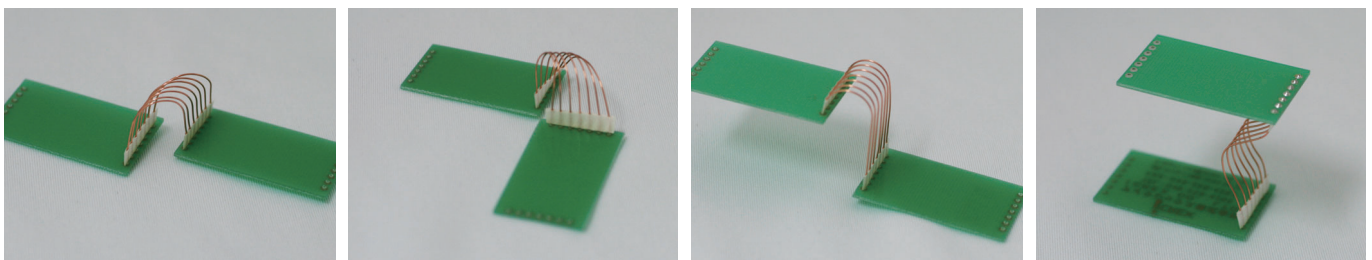
### ◆ FiP-01 specifications

- Conductor material : copper wire (polyurethane coating)
- Tape material : NOMEX® adhesive tape
- Rated temperature : -30°C to 105°C
- Rated current: 2A
- No. of poles: 2P to 30P

P (Pitch mm)	L (Length mm)			
1.27	20	40	60	
2.0	20	40	60	80
2.54	20	40	60	80



### ◆ FiP-01 usage examples



- All of our products are RoHS compliant.  
1-11-19 Shinsayama, Sayama-shi,  
Saitama-Prefecture, 350-1331, Japan