

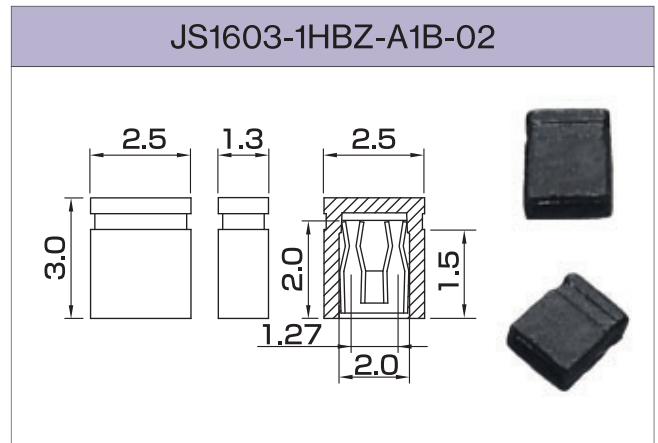
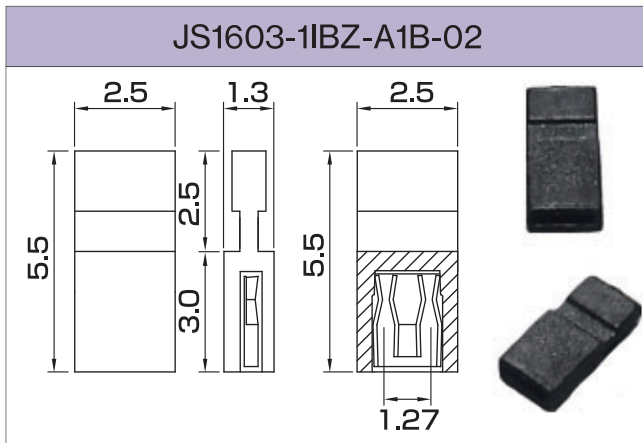
Mini Jumpers

1.27mm pitch

Mating square pin size : □0.4mm, □0.46mm



Model No.	Rated current(A)	Resin			Contact		Type	Operating temperature range
		Material	Fire retardancy	Color	Material	Surface treatment		
JS1603-1IBZ-A1B-02	2	NY-66	UL94V-0	Black	Phosphor bronze	Gold	Closed	-25-85°C
JS1603-1HBZ-A1B-02	2	NY-66	UL94V-0	Black	Phosphor bronze	Gold	Closed	-25-85°C

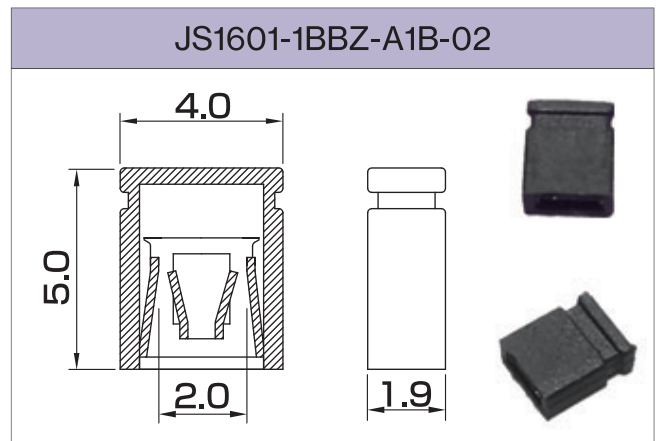
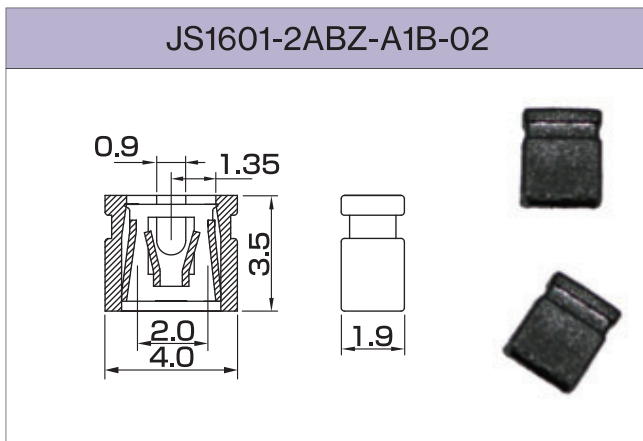


2.0mm pitch

Mating square pin size : □0.5mm

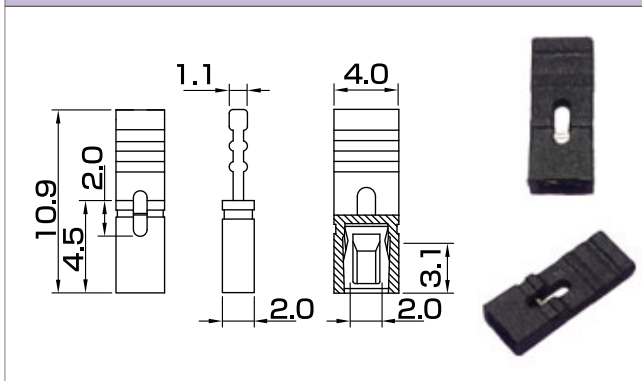


Model No.	Rated current(A)	Resin			Contact		Type	Operating temperature range
		Material	Fire retardancy	Color	Material	Surface treatment		
JS1601-2ABZ-A1B-02	3	PBT	UL94V-0	Black	Brass	Gold	Open	-40-125°C
JS1601-1BBZ-A1B-02	3	PBT	UL94V-0	Black	Brass	Gold	Closed	-40-125°C
JS1601-2QBZ-A1B-02	3	NY-66	UL94V-0	Black	Brass	Gold	Open	-25-85°C



Mini Jumpers

JS1601-2QBZ-A1B-02



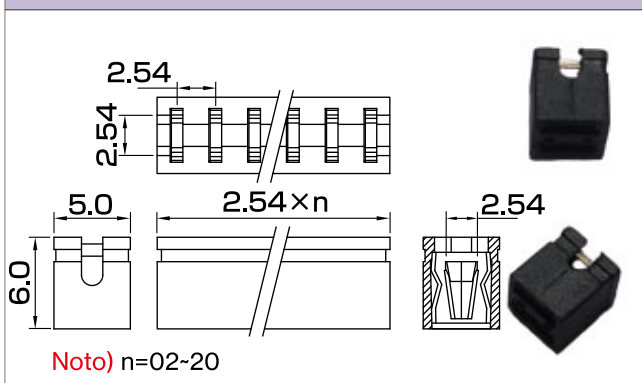
2.54mm pitch

Mating square pin size : □0.64mm

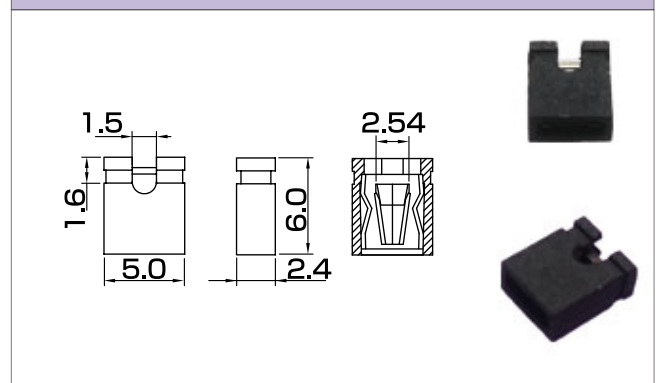


Model No.	Rated current(A)	Resin			Contact		Type	Operating temperature range
		Material	Fire retardancy	Color	Material	Surface treatment		
JS1602-2CBZ-A1B-□□ (Note)	3	PBT	UL94V-0	Black	Brass	Gold	Open	-40-125°C
JS1602-2CBZ-A1B-02	3	PBT	UL94V-0	Black	Brass	Gold	Open	-40-125°C
JS1602-2EBZ-A1B-02	3	NY-66	UL94V-0	Black	Brass	Gold	Open	-25-85°C

JS1602-2CBZ-A1B-□□ (Note)



JS1602-2CBZ-A1B-02



JS1602-2EBZ-A1B-02

